

Oak Inswing Sills

Performance & Beauty



A SUPERIOR DESIGN

The fully-adjustable threshold cap features a 3/8" travel for adjustment. The riveted steel T-Nut adjustment mechanism will not fail, provides additional lateral stability and the plated screws resist corrosion.

B CHOICE GRADED OAK

We select our consistently-graded oak caps to ensure that we offer only timber without defects.

C PATENTED SEAL

The Duo-bulb seal is not a fin, so it will not invert when adjusted. It also resists high temperatures and shrinkage. Tight manufacturing tolerances assure no loss of compression of seal.

D ACCURATE MANUFACTURING

Accurate 10" center adjustment screws make caps field serviceable and replaceable. Manufacturing tolerances are strictly held.

E CONTINUOUS HIGH DAM

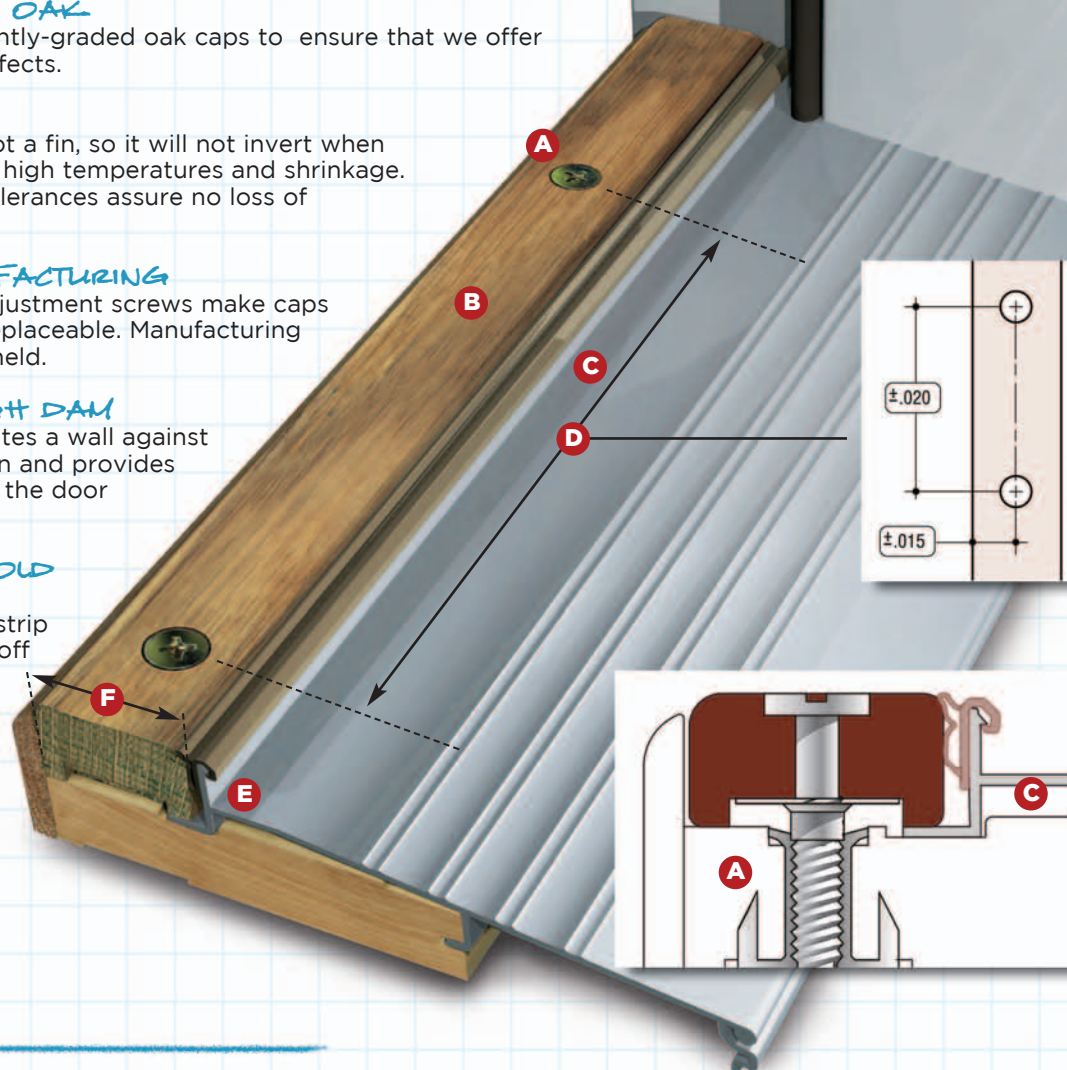
A continuous dam creates a wall against air and water infiltration and provides a positive contact with the door bottom.

F NARROW THRESHOLD CAP

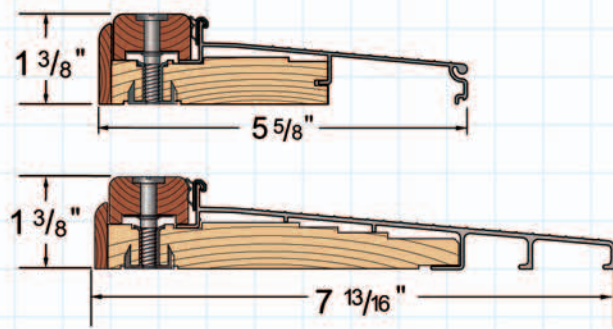
The improved weatherstrip positioning places run-off water in front of the dam and away from the cap.

G TREATED WOOD SUBSTRATE

The treated wood substrate resists rot and warping.



AVAILABLE HIGH DAM SILL WIDTHS



Types of Finishes Available



LUMBER PRODUCTS

ENDURA

Job Number: 6010/D

Description: LP Brochure Sales Sheet/Oak Inswing Sill SS

Size: 8.5 x 11 w/bleed

Ink: 4/4

2 sides

Date: 06/23/06

Client Contact: David Phillips

Phone: 336-668-2472 ext:5005

dphillips@enduraproducts.com

www.enduraproducts.com

Sill Profiles (Available in Mill and Bronze)

Adjustable High Dam HAI56250 HAI78150 	Fixed High Dam HFI56250 HFI78150 	Bumper Outswing FOB53750 FOB5626A
Screen Rail HI56250SR 	Sill Covers 	

SureSill™ Sill Pan

Available in 4-9/16" and 6-9/16"

SureSill provides two surfaces:
Pan allows sill or pre-hung unit to sit level while providing a sloped drainage surface.

Extenders

XN 	XXW 	XWS 		
XW 	XXXW 	Extender with Screen Rail		

Mull Posts (Ends Machined for Oak and Z-Series Sills)

4-3/8" Standard 	4-3/8" Fat Boy
----------------------------	---------------------------

Sidelite Seat and Shim

HVH2 Sidelite Seat

Optional Standard Shim
Optional Mini Shim

Distributed by:

LUMBER PRODUCTS
 19855 SW 124TH Ave.
 Tualatin, OR 97062-3322
 (800) 926-7103
www.lumberproducts.com

Endura
 DOOR COMPONENT SYSTEMS
 Specifications are subject to change without notice.
 Copyright © 2008 Endura Products Incorporated.
 All other brand names, product names, or trademarks belong to their respective owners.

ENDURA

Job Number: 6010/D

Description: LP Brochure Sales Sheet/Oak Inswing Sill SS

Size: 8.5 x 11 w/bleed

Ink: 4/4

2 sides

Date: 06/23/06

Client Contact: David Phillips

Phone: 336-668-2472 ext:5005

dphillips@enduraproducts.com

www.enduraproducts.com

Distributed by:



LUMBER PRODUCTS

11400 East 53rd Ave. · Unit 100
Denver, CO 80239
303-375-1500
www.lumberproducts.com

ENDURA

Job Number: 6010/D

Description: LP Brochure Sales Sheet/Oak Inswing Sill SS

Size: 8.5 x 11 w/bleed

Ink: 4/4

2 sides

Date: 06/23/06

Client Contact: David Phillips

Phone: 336-668-2472 ext:5005

dphillips@enduraproducts.com

www.enduraproducts.com